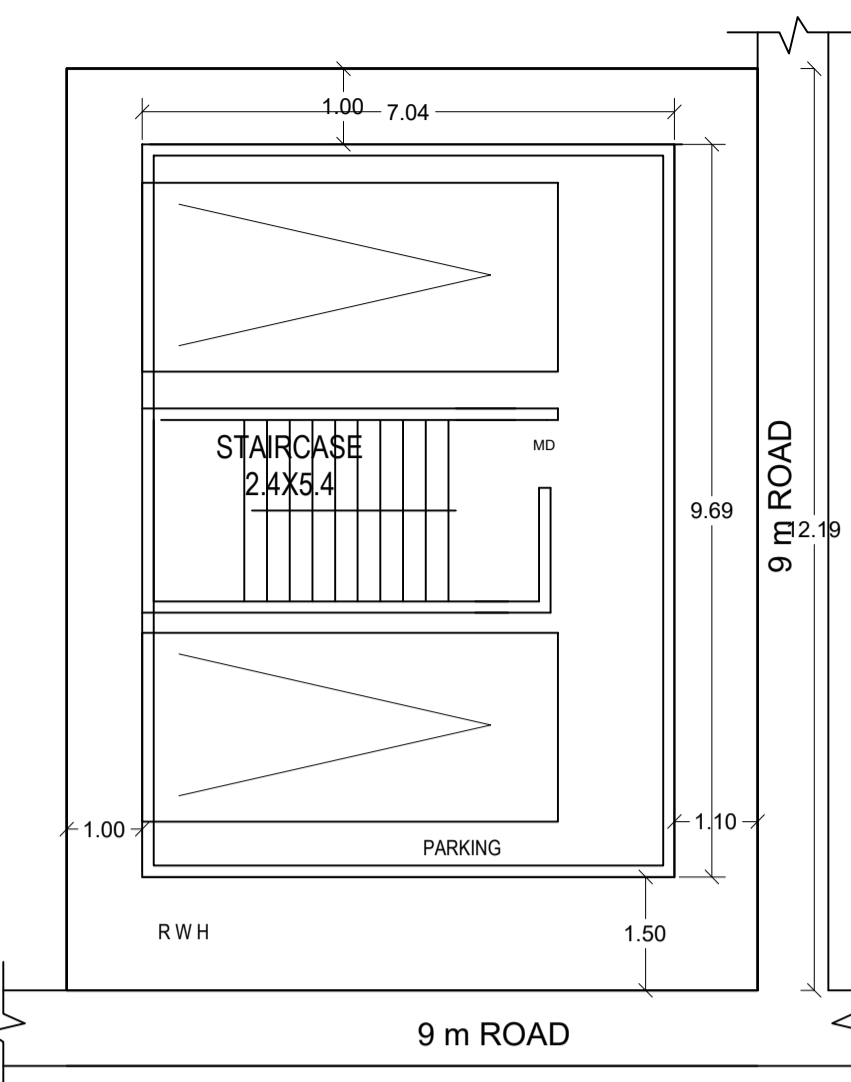
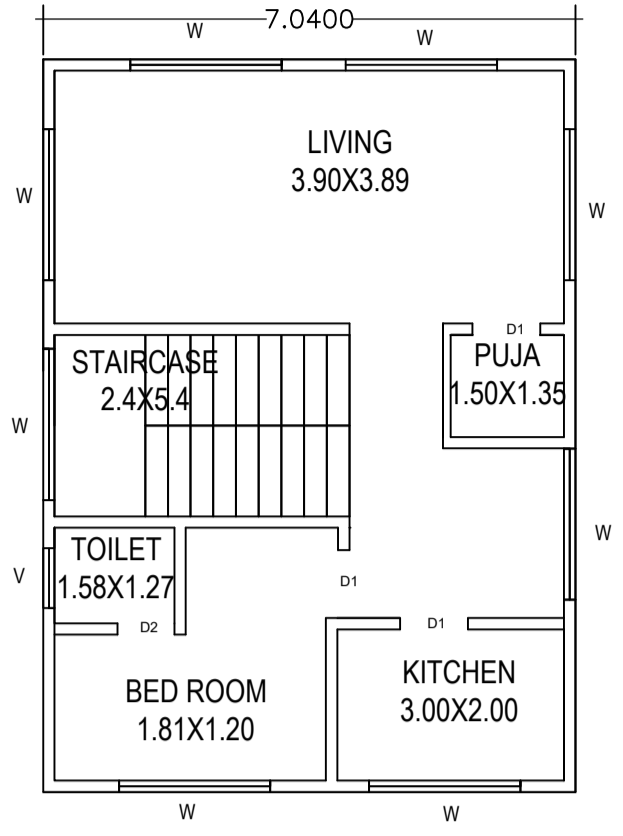


Color Notes	
	PLOT BOUNDARY
	ABUTTING ROAD
	PROPOSED WORK (COVERAGE AREA)
	EXISTING (To be retained)
	EXISTING (To be demolished)



STILT FLOOR PLAN



GROUND FLOOR PLAN

Approval Condition :
 This Plan Sanction is issued subject to the following conditions :
 1. The sanction is accorded for:
 a) Consisting of Block - A (AAA) Wing - A-1 (AAA) Consisting of STILT, GF+1UF.
 2. The sanction is accorded for Plotted Resi development A (AAA) only. The use of the building shall not deviate to any other use.
 3. Car Parking reserved in the plan should not be converted for any other purpose.
 4. Development charges towards increasing the capacity of water supply, sanitary and power main has to be paid to BWSSB and BESCOM if any.
 5. Necessary ducts for running telephone cables, cubicles at ground level for postal services & space for dumping garbage within the premises shall be provided.
 6. The applicant shall construct temporary toilets for the use of construction workers and it should be demolished after the construction.
 7. The applicant shall INSURE all workmen involved in the construction work against any accident / untoward incidents arising during the time of construction.
 8. The applicant shall not stock any building materials / debris on footpath or on roads or on drains. The debris shall be removed and transported to near by dumping yard.
 9. The applicant / builder is prohibited from selling the setback area / open spaces and the common facility areas, which shall be accessible to all the tenants and occupants.
 10. The applicant shall provide a space for locating the distribution transformers & associated equipment as per K.E.R.C (E&D) code leaving 3.00 mts. from the building within the premises.
 11. The applicant shall provide a separate room preferably 4.50 x 3.65 m in the basement for installation of telecom equipment and also make provisions for telecom services as per Bye-law No. 25.

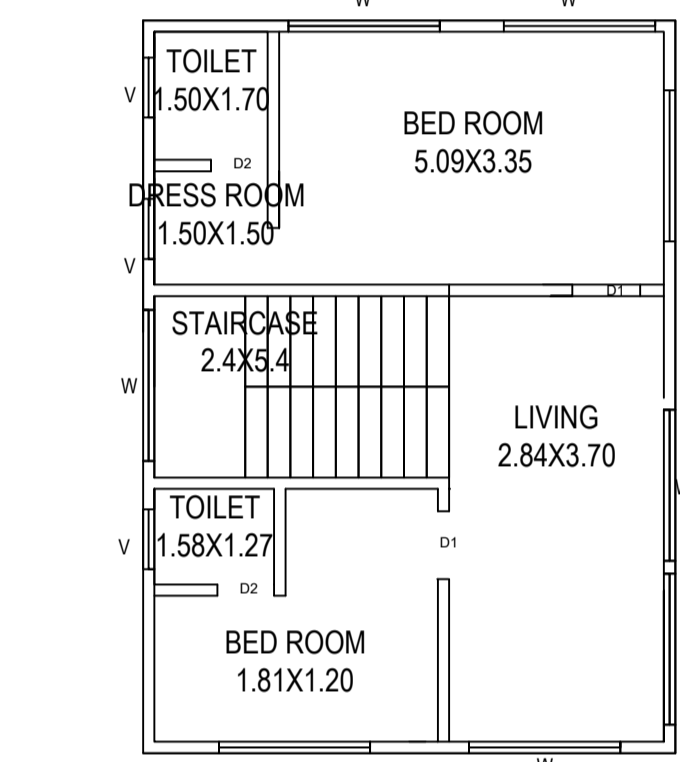
12. The applicant shall maintain during construction such barricading as considered necessary to prevent dust, debris & other materials endangering the safety of people / structures etc. in & around the site.
 13. Permission shall be obtained from forest department for cutting trees before the commencement of the work.
 14. License and approved plans shall be posted in a conspicuous place of the licensed premises. The building license and the copies of sanctioned plans with specifications shall be mounted on a frame and displayed and they shall be made available for inspection.
 15. If any owner / builder contravenes the provisions of Building Bye-laws and rules in force, the Architect / Engineer / Supervisor will be informed by the Authority in the first instance, warned in the second instance and cancel the registration if the same is repeated for the third time.
 16. Technical personnel, applicant or owner as the case may be shall strictly adhere to the duties and responsibilities specified in Schedule - IV (Bye-law No. 3.6) under sub section IV-8 (e) to (k).
 17. The building shall be constructed under the supervision of a registered structural engineer.
 18. On completion of foundation or footings before erection of walls on the foundation and in the case of columnar structure before erecting the columns "COMMENCEMENT CERTIFICATE" shall be obtained.
 19. Construction or reconstruction of the building should be completed before the expiry of five years from the date of issue of license & within one month after its completion shall apply for permission to occupy the building.
 20. The building should not be occupied without obtaining "OCCUPANCY CERTIFICATE" from the competent authority.
 21. Drinking water supplied by BWSSB should not be used for the construction activity of the building.
 22. The applicant shall ensure that the Rain Water Harvesting Structures are provided & maintained in good repair for storage of water for not potable purposes or recharge of ground water at all times having a minimum total capacity mentioned in the Bye-law 32(a).
 23. The building shall be designed and constructed adopting the norms prescribed in National Building Code and in the "Criteria for earthquake resistant design of structures" bearing No. IS 1893-2002 published by the Bureau of Indian Standards making the building resistant to earthquake.
 24. The applicant should provide solar water heaters as per table 17 of Bye-law No. 29 for the building.
 25. Facilities for physically handicapped persons prescribed in schedule XI (Bye laws - 31) of Building bye-laws 2003 shall be ensured.
 26. The applicant shall provide at least one common toilet in the ground floor for the use of the visitors / servants / drivers and security men and also entrance shall be approached through a ramp for the Physically Handicapped persons together with the stepped entry.
 27. The Occupancy Certificate will be considered only after ensuring that the provisions of conditions vide Sl. No. 23, 24, 25 & 26 are provided in the building.
 28. The applicant shall ensure that no inconvenience is caused to the neighbors in the vicinity of construction and that the construction activities shall stop before 10.00 PM and shall not resume the work earlier than 7.00 AM to avoid hindrance during late hours and early morning hours.
 29. Garbage originating from Apartments / Commercial buildings shall be segregated into organic and inorganic waste and should be processed in the Recycling processing unit ---- k-g capacity installed at site for its re-use / disposal (Applicable for Residential units of 20 and above and 2000 Sqm and above built up area for Commercial building).
 30. The structures with basements shall be designed for structural stability and safety to ensure for soil stabilization during the course of excavation for basements with safe design for retaining walls and super structure for the safety of the structure as well as neighboring property, public roads and footpaths, and besides ensuring safety of workman and general public by erecting safe barricades.

AREA STATEMENT (BBMP)		VERSION NO. : 1.0.15
PROJECT DETAIL:		VERSION DATE: 18/09/2020
Authority: BBMP	Plot Use: Residential	
Inward No: BBMP/Ad.Com./RJH/0972/20-21	Plot Sub/Use: Plotted Resi development	
Application Type: Suvarna Parvangi	Land Use Zone: Residential (Main)	
Proposal Type: Building Permission	Plot/Sub Plot No.: 1044, OLD NO-55	
Nature of Sanction: NEW	Khata No. (As per Khata Extract): 2594/ 1/2345/ 857/ 55	
Location: RING-III	PID No. (As per Khata Extract): 82-1-62	
Building Line Specified as per Z.R: NA	Locality / Street of the property: NO-1044, OLD NO-55, VALAGERAHALLI VILLAGE, WARD NO-130, BANGALORE	
Zone: Rajarajeshwarinagar		
Ward: Ward-130		
Planning District: 301-Kengeri		
AREA DETAILS:		SQ.MT.
AREA OF PLOT (Minimum)	(A)	111.42
NET AREA OF PLOT	(A-Deductions)	111.42
COVERAGE CHECK		
Permissible Coverage area (75.00 %)		83.56
Proposed Coverage Area (61.23 %)		68.22
Achieved Net coverage area (61.23 %)		68.22
Balance coverage area left (13.77 %)		15.34
FAR CHECK		
Permissible F.A.R. as per zoning regulation 2015 (1.75)		194.98
Additional F.A.R. within Ring I and II (for amalgamated plot -)		0.00
Allowable TDR Area (60% of Perm.FAR)		0.00
Premium FAR for Plot within Impact Zone (-)		0.00
Total Perm. FAR area (1.75)		194.98
Residential FAR (100.00%)		117.72
Proposed FAR Area		117.72
Achieved Net FAR Area (1.06)		117.72
Balance FAR Area (0.69)		77.26
BUILT UP AREA CHECK		
Proposed BuiltUp Area		216.88
Achieved BuiltUp Area		216.88

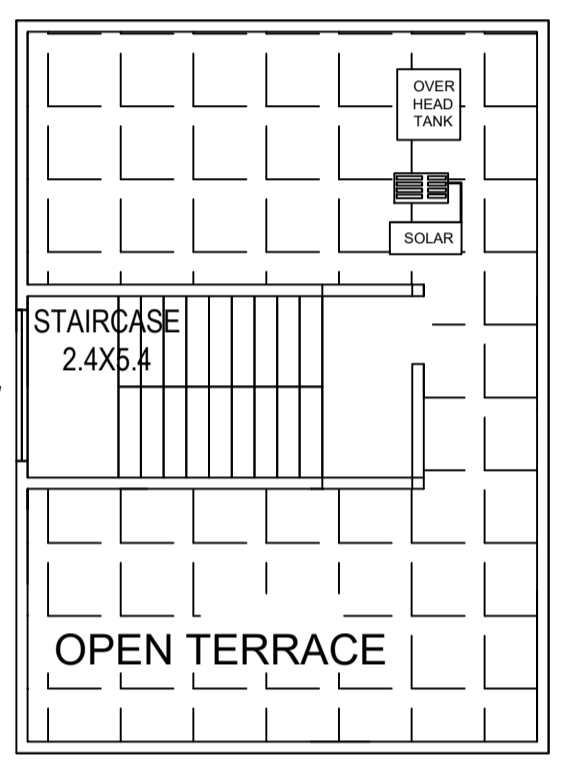
Approval Date : 11/12/2020 1:16:54 PM

Payment Details

Sr No.	Challan Number	Receipt Number	Amount (INR)	Payment Mode	Transaction Number	Payment Date	Remark
1	BBMP/16459/CH/20-21	BBMP/16459/CH/20-21	981.9	Online	11387311403	10/17/2020 6:50:16 PM	-
	No.	Head			Amount (INR)		Remark
	1	Scrutiny Fee			981.9		



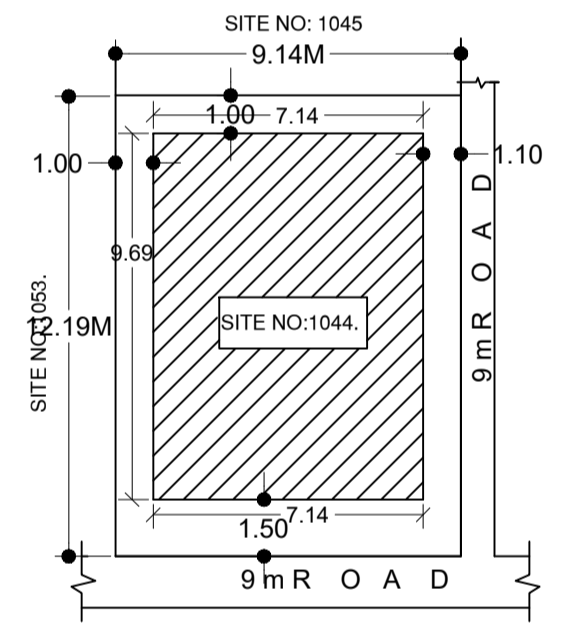
FIRST FLOOR PLAN



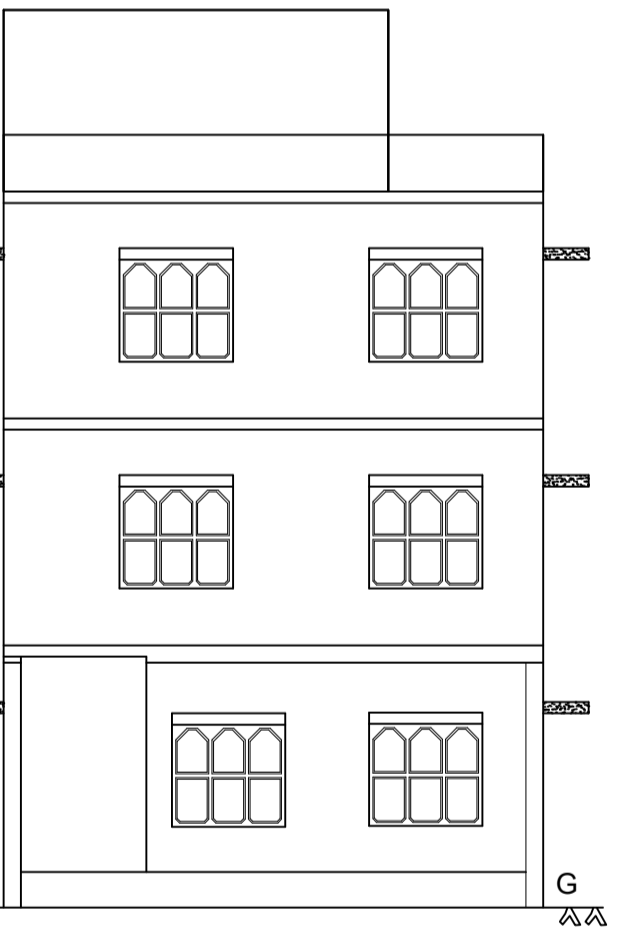
TERRACE FLOOR PLAN

12. The applicant shall maintain during construction such barricading as considered necessary to prevent dust, debris & other materials endangering the safety of people / structures etc. in & around the site.
 13. Permission shall be obtained from forest department for cutting trees before the commencement of the work.
 14. License and approved plans shall be posted in a conspicuous place of the licensed premises. The building license and the copies of sanctioned plans with specifications shall be mounted on a frame and displayed and they shall be made available for inspection.
 15. If any owner / builder contravenes the provisions of Building Bye-laws and rules in force, the Architect / Engineer / Supervisor will be informed by the Authority in the first instance, warned in the second instance and cancel the registration if the same is repeated for the third time.
 16. Technical personnel, applicant or owner as the case may be shall strictly adhere to the duties and responsibilities specified in Schedule - IV (Bye-law No. 3.6) under sub section IV-8 (e) to (k).
 17. The building shall be constructed under the supervision of a registered structural engineer.
 18. On completion of foundation or footings before erection of walls on the foundation and in the case of columnar structure before erecting the columns "COMMENCEMENT CERTIFICATE" shall be obtained.
 19. Construction or reconstruction of the building should be completed before the expiry of five years from the date of issue of license & within one month after its completion shall apply for permission to occupy the building.
 20. The building should not be occupied without obtaining "OCCUPANCY CERTIFICATE" from the competent authority.
 21. Drinking water supplied by BWSSB should not be used for the construction activity of the building.
 22. The applicant shall ensure that the Rain Water Harvesting Structures are provided & maintained in good repair for storage of water for not potable purposes or recharge of ground water at all times having a minimum total capacity mentioned in the Bye-law 32(a).
 23. The building shall be designed and constructed adopting the norms prescribed in National Building Code and in the "Criteria for earthquake resistant design of structures" bearing No. IS 1893-2002 published by the Bureau of Indian Standards making the building resistant to earthquake.
 24. The applicant should provide solar water heaters as per table 17 of Bye-law No. 29 for the building.
 25. Facilities for physically handicapped persons prescribed in schedule XI (Bye laws - 31) of Building bye-laws 2003 shall be ensured.
 26. The applicant shall provide at least one common toilet in the ground floor for the use of the visitors / servants / drivers and security men and also entrance shall be approached through a ramp for the Physically Handicapped persons together with the stepped entry.
 27. The Occupancy Certificate will be considered only after ensuring that the provisions of conditions vide Sl. No. 23, 24, 25 & 26 are provided in the building.
 28. The applicant shall ensure that no inconvenience is caused to the neighbors in the vicinity of construction and that the construction activities shall stop before 10.00 PM and shall not resume the work earlier than 7.00 AM to avoid hindrance during late hours and early morning hours.
 29. Garbage originating from Apartments / Commercial buildings shall be segregated into organic and inorganic waste and should be processed in the Recycling processing unit ---- k-g capacity installed at site for its re-use / disposal (Applicable for Residential units of 20 and above and 2000 Sqm and above built up area for Commercial building).
 30. The structures with basements shall be designed for structural stability and safety to ensure for soil stabilization during the course of excavation for basements with safe design for retaining walls and super structure for the safety of the structure as well as neighboring property, public roads and footpaths, and besides ensuring safety of workman and general public by erecting safe barricades.

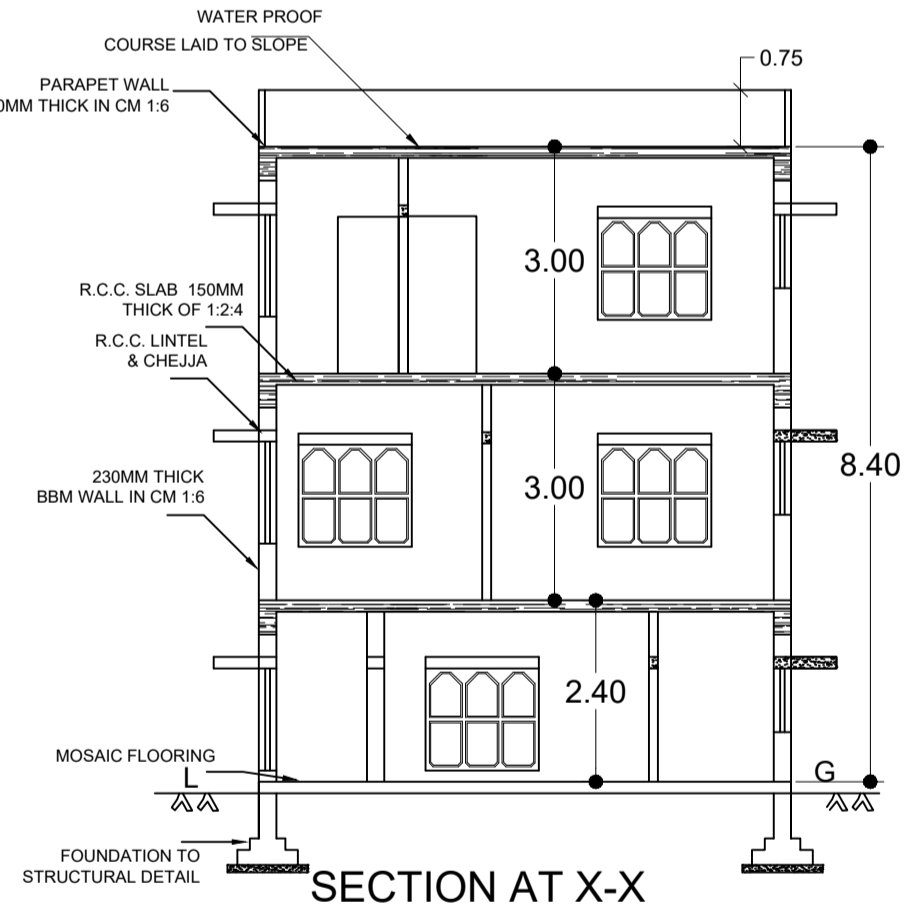
1.Registration of Applicant / Builder / Owner / Contractor and the construction workers working in the construction site with the "Karnataka Building and Other Construction workers Welfare Board" should be strictly adhered to
 2. The Applicant / Builder / Owner / Contractor should submit the Registration of establishment and list of construction workers engaged at the time of issue of Commencement Certificate. A copy of the same shall also be submitted to the concerned local Engineer in order to inspect the establishment and ensure the registration of establishment and workers working at construction site or work place.
 3. The Applicant / Builder / Owner / Contractor shall also inform the changes if any of the list of workers engaged by him.
 4. At any point of time No Applicant / Builder / Owner / Contractor shall engage a construction worker in his site or work place who is not registered with the "Karnataka Building and Other Construction workers Welfare Board".
 Note :
 1. Accommodation shall be provided for setting up of schools for imparting education to the children of construction workers in the labour camps / construction sites.
 2. List of children of workers shall be furnished by the builder / contractor to the Labour Department which is mandatory.
 3. Employment of child labour in the construction activities strictly prohibited.
 4. Obtaining NOC from the Labour Department before commencing the construction work is a must.
 5. BBMP will not be responsible for any dispute that may arise in respect of property in question.
 6. In case if the documents submitted in respect of property in question is found to be false or fabricated, the plan sanctioned stands cancelled automatically and legal action will be initiated.



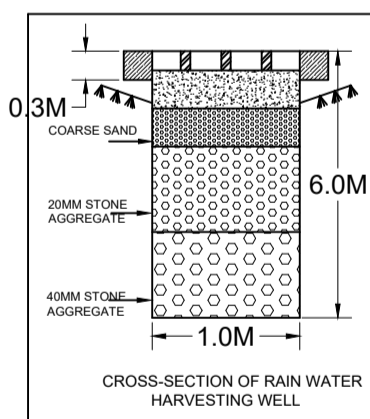
SITE PLAN



FRONT ELEVATION



SECTION AT X-X



CROSS-SECTION OF RAIN WATER HARVESTING WELL

The plans are approved in accordance with the acceptance for approval by the Assistant Director of town planning (RR NAGAR) on date: 12/11/2020 vide Ip number: BBMP/Ad.Com./RJH/0972/20-21 subject to terms and conditions laid down along with this building plan approval.

This approval of Building plan/ Modified plan is valid for two years from the date of issue of plan and building licence by the competent authority.

ASSISTANT DIRECTOR OF TOWN PLANNING (RR NAGAR)
 BHRUHAT BENGALURU MAHANAGARA PALIKE

OWNER / GPA HOLDER'S SIGNATURE
 OWNER'S ADDRESS WITH ID NUMBER & CONTACT NUMBER :
 CHIDANANDA.B.S AND ABHINANDA. B. S. NO-1044, OLD NO-55, VALAGERAHALLI VILLAGE, WARD NO-130, BANGALORE. NO-1044, OLD NO-55, VALAGERAHALLI VILLAGE, WARD NO-130, BANGALORE.

ARCHITECT/ENGINEER /SUPERVISOR 'S SIGNATURE
 K MANJAPPA NO-2240, 4TH CROSS, SHIVANANDA NAGAR, NAGARA BHAVI MAIN ROAD BANGALORE-560072
 BCC/BL-3/SE-0312/2018-19

PROJECT TITLE : RESIDENTIAL BUILDING
 PLAN SHOWING PROPOSED RESIDENTIAL BUILDING AT SITE NO:1044, OLD NO-55 KATHA NO:2594/ 1/ 2345/ 857/ 55, VALAGERAHALLI VILLAGE, KENGERE HOBLI, WARD NO:198, BANGALORE SOUTH TALUK.

DRAWING TITLE : 1813047864-12-11-2020
 12-23-35\$. \$CHIDANANDA 30X40
 GX2 FINAL1 KIT FINAL (1) ::
 A (AAA) with STILT, GF+1UF

SHEET NO : 1

Block USE/SUBUSE Details				
Block Name	Block Use	Block Sub/Use	Block Structure	Block Land Use Category
A (AAA)	Residential	Plotted Resi development	Bldg upto 11.5 m. Ht.	R

Required Parking (Table 7a)							
Block Name	Type	Sub/Use	Area (Sq.mt.)	Reqd.	Units Prop.	Reqd./Unit	Car Reqd.
A (AAA)	Residential	Plotted Resi development	50 - 225	1	-	1	2
Total:				-	-	-	2

Parking Check (Table 7b)					
Vehicle Type	Reqd.		Achieved		Total
	No.	Area (Sq.mt.)	No.	Area (Sq.mt.)	
Car	2	27.50	2	27.50	
Total Car	2	27.50	2	27.50	
TwoWheeler	-	13.75	0	0.00	
Other Parking	-	-	-	28.48	
Total			41.25	55.98	

FAR & Tenement Details						
Block	No. of Same Bldg	Total Built Up Area (Sq.mt.)	Deductions (Area in Sq.mt.)		Proposed FAR Area (Sq.mt.)	Total FAR Area (Sq.mt.)
			Stair/Case	Parking		
A (AAA)	1	216.88	43.18	55.98	117.72	117.72
Grand Total:	1	216.88	43.18	55.98	117.72	117.72

Floor Name	Total Built Up Area (Sq.mt.)	Deductions (Area in Sq.mt.)		Proposed FAR Area (Sq.mt.)	Total FAR Area (Sq.mt.)	Trmt (No.)
		Stair/Case	Parking			
Terrace Floor	12.22	12.22	0.00	0.00	0.00	00
First Floor	68.22	9.36	0.00	58.86	58.86	01
Ground Floor	68.22	9.36	0.00	58.86	58.86	01
Stilt Floor	68.22	12.24	55.98	0.00	0.00	00
Total:	216.88	43.18	55.98	117.72	117.72	02
Total Number of Same Blocks	1					
Total:	216.88	43.18	55.98	117.72	117.72	02

SCHEDULE OF JOINERY:				
BLOCK NAME	NAME	LENGTH	HEIGHT	NOS
A (AAA)	D2	0.75	2.10	04
A (AAA)	D1	0.90	2.10	05

SCHEDULE OF JOINERY:				
BLOCK NAME	NAME	LENGTH	HEIGHT	NOS
A (AAA)	V	1.03	1.20	04
A (AAA)	W	2.00	1.20	17

UnitBUA Table for Block :A (AAA)						
FLOOR	Name	UnitBUA Type	UnitBUA Area	Carpet Area	No. of Rooms	No. of Tenement
GROUND FLOOR PLAN	GF	FLAT	63.29	63.29	5	1
FIRST FLOOR PLAN	FF	FLAT	63.29	63.29	6	1
Total:	-	-	126.58	126.58	11	2